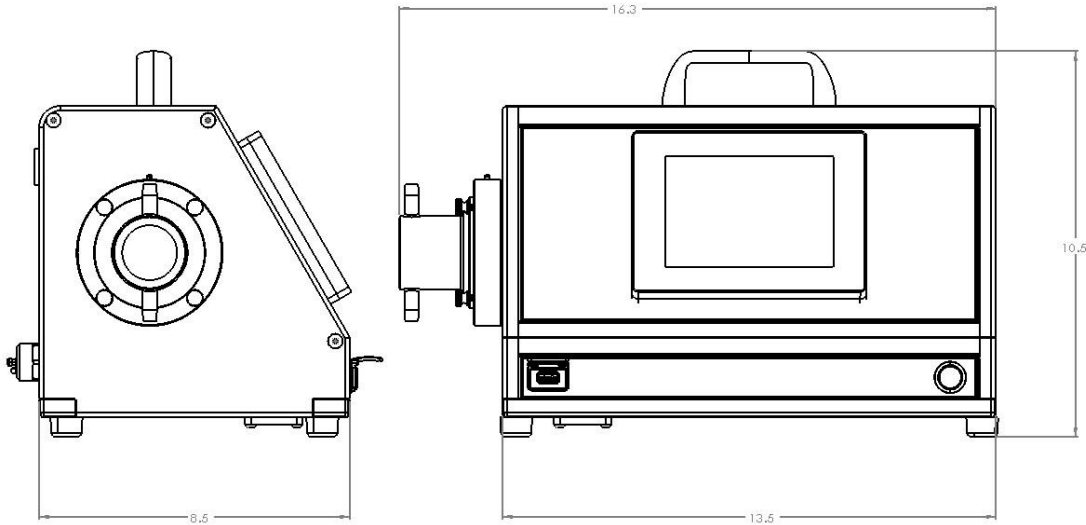


# **i-FILL<sup>®</sup> Precision Liquid Dispensing Pump (mL) Technical Data Sheet**

## **SPECIFICATIONS:**



<b>PART NUMBER:</b>	M2-00835	
<b>DIMENSIONS (H x W x D):</b>	10.5" x 13.5" x 8.5" / 26.67cm x 34.29cm x 21.59cm	
<b>NET WEIGHT:</b>	19.5 lbs. / 8.8 kg	
<b>HMI TOUCH SCREEN:</b>	SCHNEIDER Magelis 3" x 5" Color Panel	
<b>COMMUNICATION:</b>	USB; ETHERNET & RS232	
<b>UTILITIES</b>	<b>CONNECTION</b>	<b>REQUIREMENTS</b>
ELECTRICAL POWER	NEMA 5-15	120V / 10A / 60Hz
<b>OPERATING CONDITIONS:</b>	0-50°C, 5-85% RH, Non-condensing	
<b>STORAGE CONDITIONS:</b>	-45-65°C	
<b>FILL VOLUME RANGE:</b>	4mL to 120mL with 100mL Kit	

Part Description	Part Number	Piston	Piston Material	Maximum Index Position Setting
100mL Pump Kit	M2-00181	M1-00559, 100mL Piston	Acetal	43.5mm

### **Single-Use Fluid Path Kits: Product Contact Materials**

**PUMP HEAD:** Injection Molded, Material: Zylar (Copolymerized styrene, butadiene and methyl methacrylate)

**DIAPHRAGM:** FDA Red Silicone

**TUBING:** 1/4" ID x 3/8" OD, Platinum-Cured Silicone

**CHECK VALVE:** White & Clear Acrylic W/Silicone Diaphragm

**NOZZLE:** Polypropylene

**TYPICAL DISPENSING SETTINGS:**

Volume Targets for Pump Settings: Index Speed - 3000, Acceleration/Deceleration - 150	
Target Fill Volume	100mL Pump Kit Estimated Index Position (mm)
10 mL	4.7
25 mL	10.25
50 mL	19.25
75 mL	28
100 mL	36.65
120 mL	43.5

**TYPICAL FLOW DATA:**

Typical Flow Data		
100mL Kit - M2-00181		
Index Speed	Index Position	Flow Rate (mL/min)
4000	43	1006
	35	891
	25	755
	15	526
	5	220
	2.5	108
1000	43	921
	35	856
	25	718
	15	535
	5	220
	2.5	109
500	43	613
	35	570
	25	518
	15	435
	5	220
	2.5	109
100	43	142
	35	132
	25	132
	15	122
	5	95
	2.5	68

**Additional Notes:**

\*All pump kits are Lot# controlled with Lot# controlled component parts. Vendor documentation is kept on file pertaining to animal / non-animal origin of component parts. Kits are double-bagged and individually labeled with Part #, Lot #, and Gamma Irradiation label. Kits are irradiated within a range of 25 – 245 kGy by an approved supplier. Irradiation Process run records are maintained for each Lot #.

\*All settings were tested with water at about room temperature (75°F, 23.8°C). All settings are approximate.

**MAINTENANCE:** The i-FILL Micro is a self-contained unit that requires little to no maintenance. Users should occasionally wipe the unit with a soft, clean cloth. The touch screen control is protected by a cover that should protect it from the regular use of an appropriate stylus. Maintenance should only be performed by an authorized Intellitech technician. Please call 1-866-434-5548 for technical support or service regarding the proper care of this unit.

**SAFETY AND COMPLIANCE:** This machine was built to meet, at a minimum, the requirements of the ANSI /PMMI B155.1 Safety Requirements for the Construction, Care and Use of Packaging and Packaging-Related Converting Machinery. Other voluntary standards are also referenced such as NFPA 79 (electrical), ANSI B11.19 (safeguarding), ANSI Z535.4 (warnings) and ANSI Z535.6 (instruction manuals), OSHA Standard 29 (lockout/tagout). The i-FILL is compliant with the EU Directive on Electromagnetic Compatibility (EMCD 2014/30/EU) in accordance with Article 14 Annexes II and III.

**WARRANTY AND SUPPORT:** For Warranty and/or Factory Repair request, contact Customer Service at 1-866-434-5548 with Unit Model No. and Serial No. and a description of the problem. The Unit Model and Serial No. information can be found on the Intellitech Equipment Identification tag mounted on the unit.